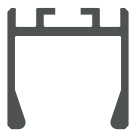


Parts needed to mount the PDS-ZM extrusion



Extrusion (A)



LED strip (B)



Cover (C)



End caps (D)



Spring (E)

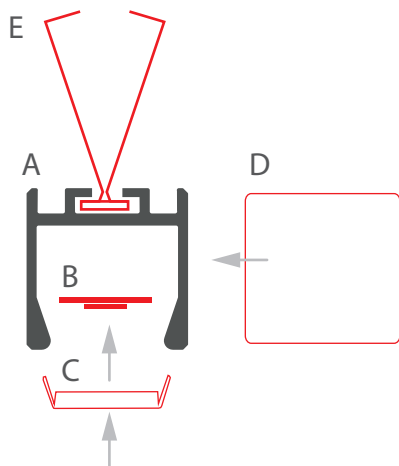
Tools needed for mounting:

- mounting glue

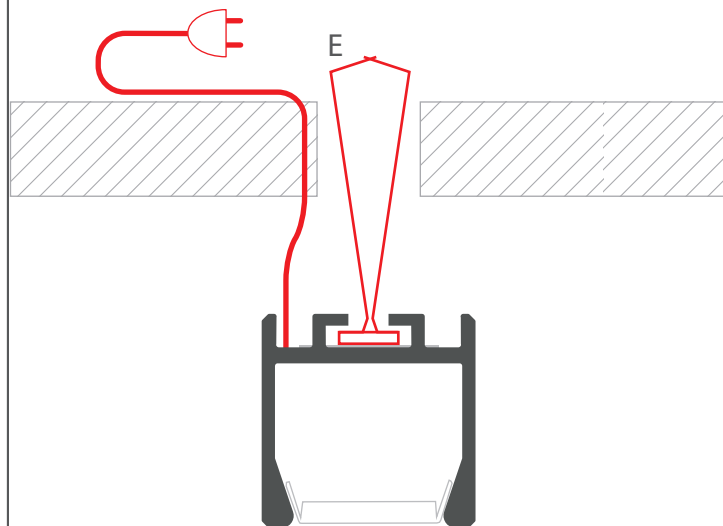
WARNING! All LED strips should be connected to a 12 V or 24 V power supply.

IMPORTANT: The mounting instructions present the basic form of assembly. More methods and related accessories can be found at www.KlusDesign.eu

1. Install the LED strip (B) in the extrusion (A), insert the cover (C), end caps (D) and slide the springs (E) into the extrusion.



2. Connect the power cable. Insert the springs (E) into the holes.



3. Push the extrusion to the surface.

