

Specification

Prepared	Checked	Approved

Accepted	Confirmed	Approved

CE	RoHS	2835 SMD	1 LEDS	Injection PC cover	DC 12V	IP 65	3/5 Years
-----------	-------------	--------------------	------------------	------------------------------	-------------------------	------------------------	---------------------

Model: ☉ M601TA M601TB

1pcs 2835 SMD LED, 13.2*7.2*6.7, equipped with integrated PC cover, injection series, 12Vdc, constant voltage, LED module

1pcs 2835 SMD LED, 13.2*7.2*6.7, equipped with integrated PC cover, injection series, 12Vdc, constant current, LED module

产品图片:



Features:

- ☉ 2835 SMD LED with low attenuation and long life;
- ☉ Standard cascading qty up to 50pcs;
- ☉ Beam angle: 120°;
- ☉ Can be cut between every unit;
- ☉ CE, RoHS compliant.

Applications:

- ☉ Suitable for 4~10cm depth channel letter.

Warranty:

- ☉ For M601TA, 3 years or 13,000 hours, whichever comes first.
- ☉ For M601TB, 5 years or 22,000 hours, whichever comes first.

Optical and Electrical Parameters:

P/N	LED Color	CT (K) WL (nm)	CRI	SDCM	Beam					
					Angle (°)	Im	Im/W	V DC	mA	W/piece
M601TA	White	6500	≥70	--	120°	20	100	12	17	0.2
M601TB	White	6500	≥70	--	120°	24	100	12	20	0.24

Others:

P/N	IP Grade	Operating Temp (°C)	Storage Temp (°C)	Standard cascading qty (pcs)	Single-ended max. cascading qty (pcs)	Double-ended max. cascading qty (pcs)	Weight (g/piece)
M601TA	IP65	-25~+60	-25~+70	50	50	100	1
M601TB	IP65	-25~+60	-25~+70	50	50	100	1

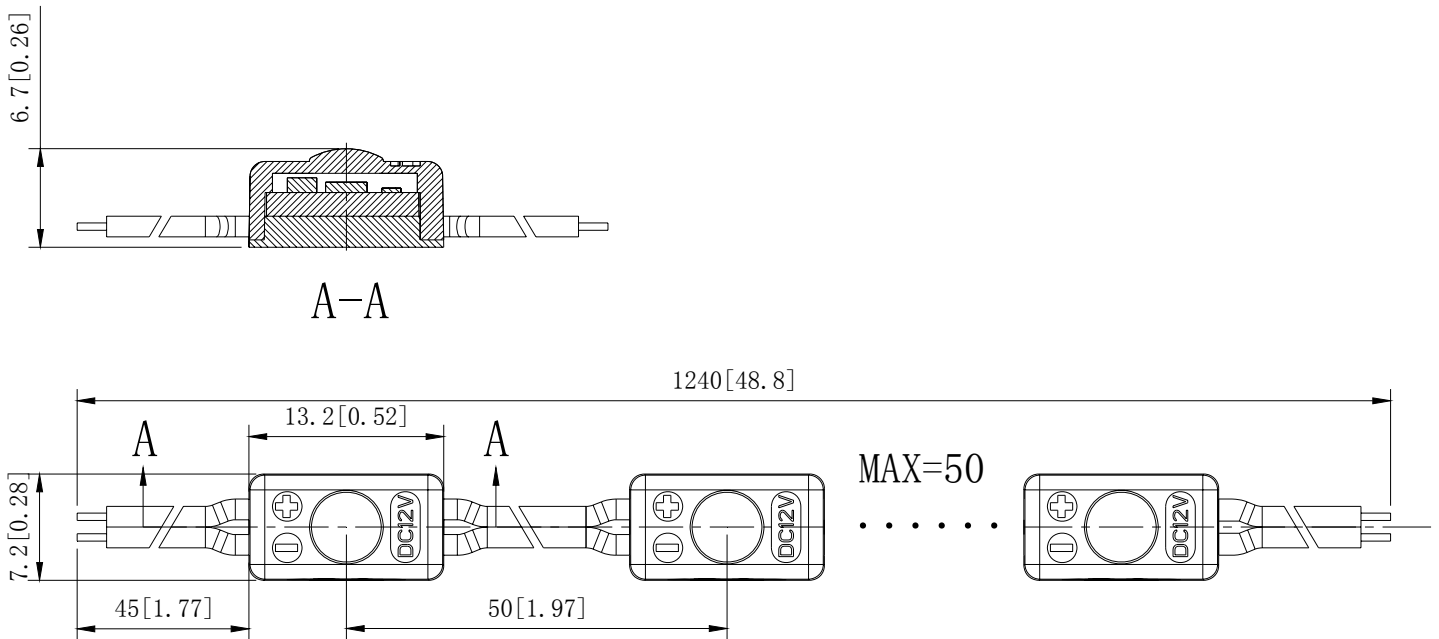
Notes:

- ① Testing environment temperature: 25±2°C [77±3.6°F];
- ② The actual data of each single product may differ from above typical data which are subject to change without prior notice;

The above "--" means the parameters are not required temporarily.

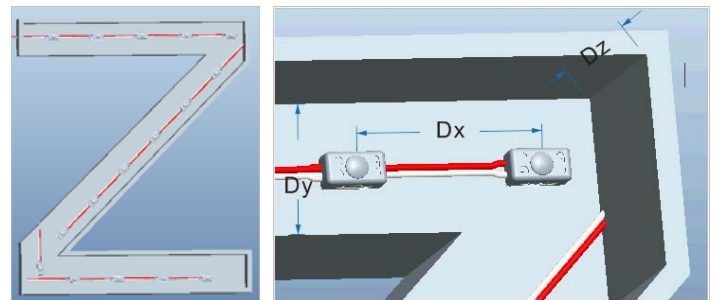
Profile Drawings:

Unit: mm [inch]



Layout Data:

Channel letter depth "Z" (mm)	Space between every unit (mm)	"Z" width (mm)	Module qty (PCS)	Surface illuminance range (lux)
Dz=40	Dx=50	Dy=50	16	4800
Dz=40	Dx=40	Dy=50	20	6000



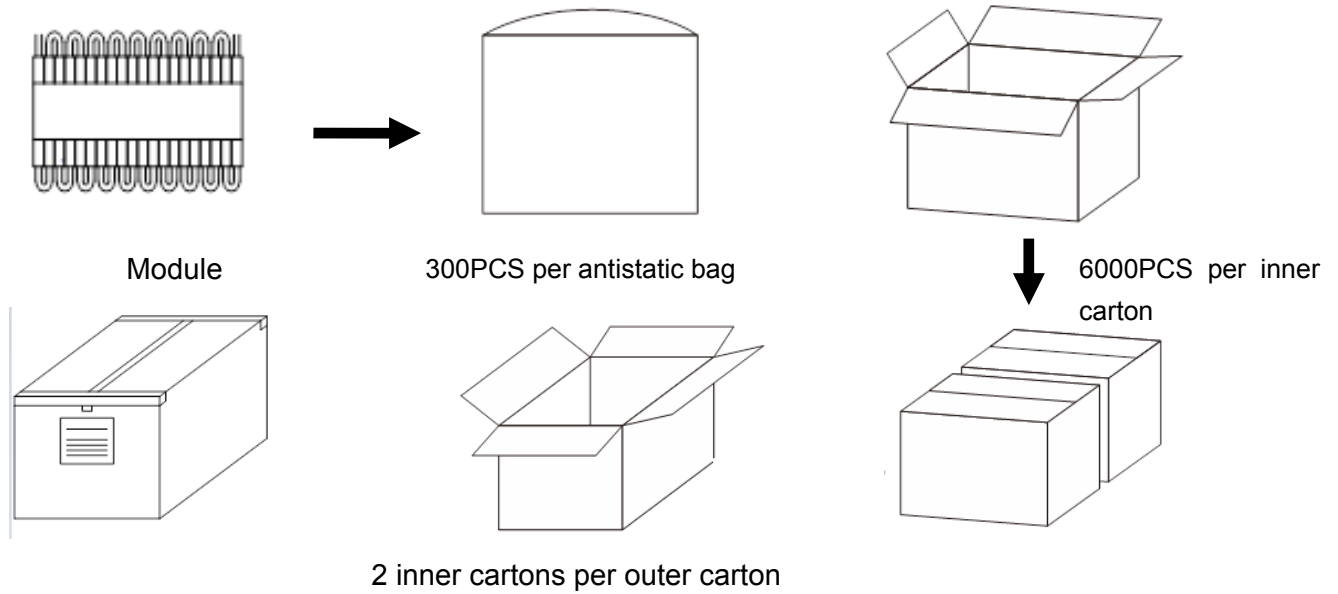
Notes:

- 1. The above data is tested from the modules with color temperature of 6,500K
- 2. The above light box uses acrylic white board with 3mm depth and 54.4% light transmittance
- 3. The above illuminance is the minimum value tested on the even surface.
- 4. The above data is for reference only.

Packaging Information:

P/N	Qty (PCS/bag)	Qty (bag/carton)	Total Qty (PCS)	Total weight (Kg)	Outer carton size (mm)		
					height	length	width
M601TA	300	40	12000	14.3	528	376	272
M601TB	300	40	12000	14.3	528	376	272

Packaging Diagram:



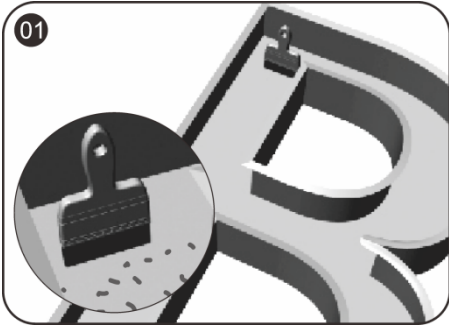
Parts & Tools:

☉ **Product Spare Parts**

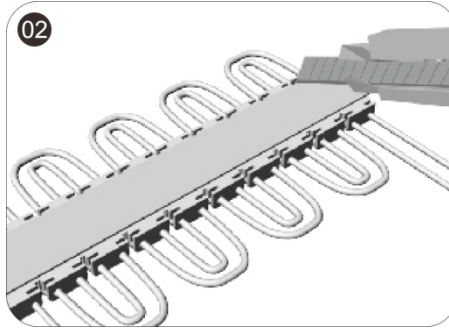


Module

Installation Steps:

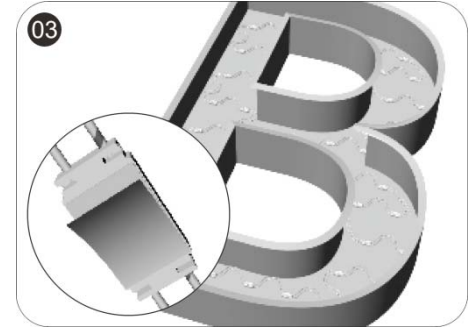


01 Clean the mounting surface

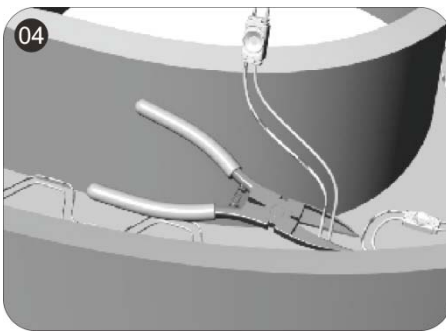


02 Cut the double-sided adhesive taps between every single unit by a cutter knife.

△Note: The cutter knife can't scratch the modules or the wires.

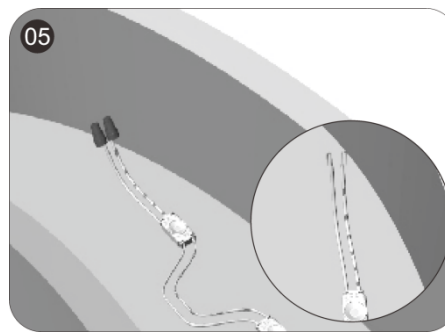


03 Peel off the release paper of double-sided adhesive tapes, then, stick modules on the installing surface for preliminary mounting

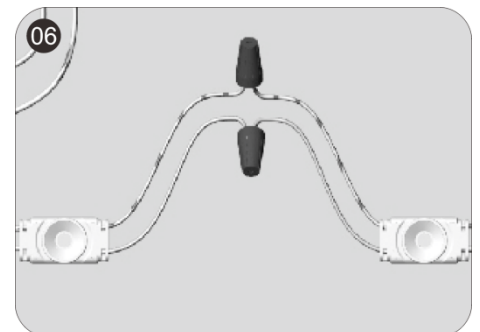


04 Cut off the modules to the desired qty, and peel off the insulation skin of wires about 10mm

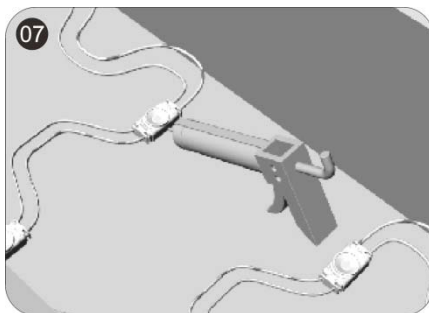
△Note: Please cut from the middle of wires between modules.



05 When the wires exposed in the last module, please peel off the insulation skin of wires about 10mm each, then, screw in terminals respectively, and dispose with waterproof, insulation protection

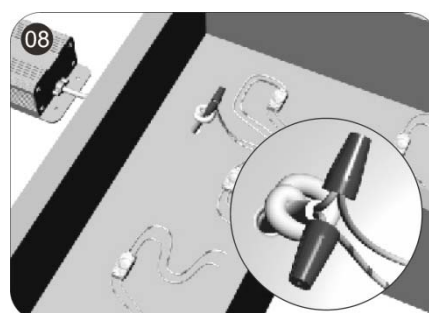


06 When connect the modules in series, peel off the insulation skin of wires of "+" and "-" about 10mm each, then, screw in terminals respectively, and dispose with waterproof, insulation, anti-corrosion protection and short-circuit prevention.



07 Adjust the modules to the best position, press the double-sided tape tightly and then fix by neutral glass glue.

△Note: The surface of modules, especially the position of LED, can't be covered by the neutral glass glue to avoid affecting product's performance.



08 Please ensure that the "+" & "-" of the wires of modules are connected with those of power supply correctly.

Troubleshooting:

Malfunctions	Possible Causes	Solutions
All LEDs don't work	1. The power supply did not connect to power grid.	Power on
	2. No electricity due to short-circuit of external power supply	Remove the malfunction caused by short-circuit, power on again
	3. The wires of module connect to power supply output reversely.	Check the connecting and ensure the wires are connected correctly.
Part of LEDs don't work	1. Part of power supplies do not have output.	Check the power supply system.
	2. Part of module wires have malfunction.	
	3. Particular module connected reversely.	Correct connection
Brightness of LEDs is weak or uneven	1. Overloaded power supply	Replace it with higher power supply
	2. The power loss of power circuit is huge or the power loss of each circuit existing big difference	Ensure working voltage of modules is within $\pm 5\%$ V of rated voltage. (1. Shorten the length of wires between the first module and power supply or replaced with wires with bigger diameter; 2. Ensure the cascading qty of string is less than or equal to the allowed maximum cascading qty, and each module cascading qty is well-balanced.)
	3. Exceed in qty of modules in series.	Lessen the cascading qty for module and ensure the qty for each electrical circuit is within the maximum cascading qty.
LEDs are blinking	1. Poor contacted in the joints.	Find out and tackle malfunction immediately.
	2. Failures in power supply.	Replace power supply.

Declaration:

- ⊙ If the external flexible cable of light box is damaged, please replace it by its manufacturer or its service agent or qualified person to avoid a hazard.
- ⊙ The specific installation and cautions please refer to the user manual.
- ⊙ The given data in this specification is based on our standard product. There may be existed slight difference compared with actual products.
- ⊙ All Illustrations in this specification are for reference only.
- ⊙ This product is subject to change or modify without prior notice.
- ⊙ RISHANG OPTOELECTRONICS CO., LTD reserves the right of final explanation for this specification.

Shenzhen Rishang Optoelectronics Co., Ltd (stock code: 002654)

Add: Block 2, Hongfa jiateli High-Tech. Park Tangtou Ave., Shiyan, Bao'an Shenzhen

Tell: +86-755-36988588 E-mail: info@ledlamps.com.cn

 Website: www.ledlamps.com.cn


Website



Official Account

