

PRODUCT DESCRIPTION

- For installation on the steps
- Non-slip elements

FINISH :

Silver anodized Black anodized

*Custom colors available upon request



Fill empty fields

Product nr.

Fixture type

Company

Job name

Date

TECHNICAL SPECIFICATION

Application

- warning lighting and anti-slip protection on the steps

Mounting

- to a step, using properly selected screws

Additional information

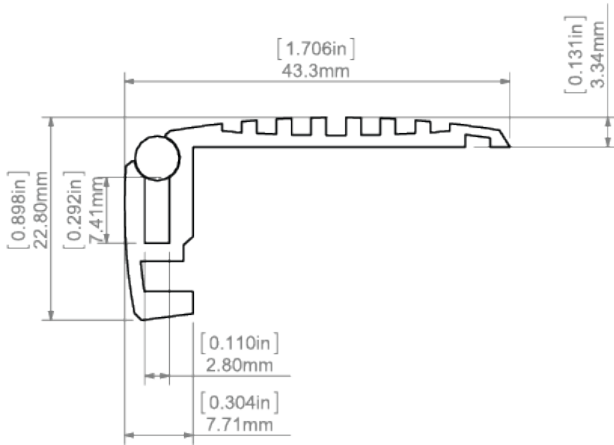
- the extrusion is sold with Anti-slip rubber strip
- LED strip concealed under a silicone cord
- space for LED strip: 7.4 mm

AVAILABLE LENGTHS

Ref. nr.	surface finish	available lengths
18018ANODA_1	Silver anodized	1000 mm
18018ANODA_2	Silver anodized	2000 mm
18018ANODA_3	Silver anodized	3000 mm
18018K7_1	Black anodized	1000 mm
18018K7_2	Black anodized	2000 mm

Ref. nr.	surface finish	available lengths
18018K7_3	Black anodized	3000 mm

TECHNICAL DRAWING



RELATED PRODUCTS

END CAPS

REGULAR END CAPS



STEKO-90 grey
End cap
Ref: 24053



STEKO-P grey End
cap
Ref: 24037



STEKO-L grey End
cap
Ref: 24038



STEKO-L End cap
Ref: 24246



STEKO-P End cap
Ref: 24247

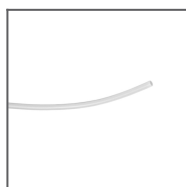
ACCESSORIES

SEALING COMPONENTS



6 x 1.2 Gland
Ref: 00802

ADDITIONAL ITEMS



Anti-slip rubber
strip FI-5
Ref: 17002

MARKETING MATERIALS



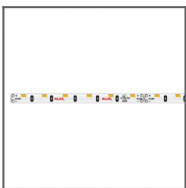
Display
P230-90108M
Ref: 90108M



Presentation set 1
Ref: 90051

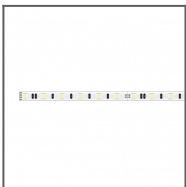
LED TAPES

SIDE VIEW



LED strip K-
SE-1210-12V
Ref: K-
SE-1210-12V

RGB / RGB-W



LED strip K-1560-
RGB-24V
Ref: K-1560-
RGB-24V