

Specification

Model : RN0030TA / RN0060TA

Description:

RN0030TA: 5000*10, 150pcs, 2835 SMD LEDs, bare board series,
constant voltage 12Vdc, LED flex strip

RN0060TA: 5000*10, 300pcs, 2835 SMD LEDs, bare board series,
constant voltage 12Vdc, LED flex strip

Prepared by : _____

Checked by : _____

Standard Dept : _____

Approved by : _____

Issued Status: Draft Published

Specification

Product Name: LED Flex strip

Model: RN0030TA/
RN0060TA

Applications

Suit to Indoor use, such as in KTV, shopping mall, cabinet etc. as cover and contour lighting.

Bending radius $\geq 5\text{cm}$, not suitable for channel letter application.

Features

1. 2835 SMD LEDs bring high luminous efficacy;
2. Can be cut at the printed marks;
3. CE, RoHS compliant.

Installation

Easy installation with self-adhesive back.

Warranty

3 years or 13,000 hours, whichever comes first.



Optical and Electrical Parameters:

P/N	LED Color	Color Temperature (K) Wavelength (nm)	Color Tolerance Adjustment SDCM	Beam Angle (°)	Luminous Flux (lm/m)	CRI	Luminous Efficacy (lm/W)	Working Voltage (V DC)	Working Current (mA)		Power (W)	
									1m [39.3 7in]	5m [196.8 5in]	1m [39.3 7in]	5m [196.8 5in]
RN0030 TA-A	Neutral white	6000	—	115	468	Ra>75	78	12	500	2080	6	25
RN0030 TA-A	Red	620-625	—	115	70	—	11.7	12	500	2333	6	28
RN0030 TA-A	Green	525-530	—	115	307	—	51.2	12	500	2083	6	25
RN0030 TA-A	Blue	465-470	—	115	74	—	12.3	12	500	2083	6	25
RN0030 TA-A	Yellow	585-590	—	115	39	—	6.5	12	500	2333	6	28
RN0060 TA-A	Neutral white	6000	—	115	955.5	Ra>75	79.6	12	1000	3580	12	43
RN0060	Red	620-625	—	115	128	—	10.7	12	1000	3750	12	45

TA-A												
RN0060 TA-A	Green	525-530	—	115	623	—	51.9	12	1000	3583	12	43
RN0060 TA-A	Blue	465-470	—	115	148	—	12.3	12	1000	3583	12	43
RN0060 TA-A	Yellow	585-590	—	115	66	—	5.5	12	1000	3750	12	45

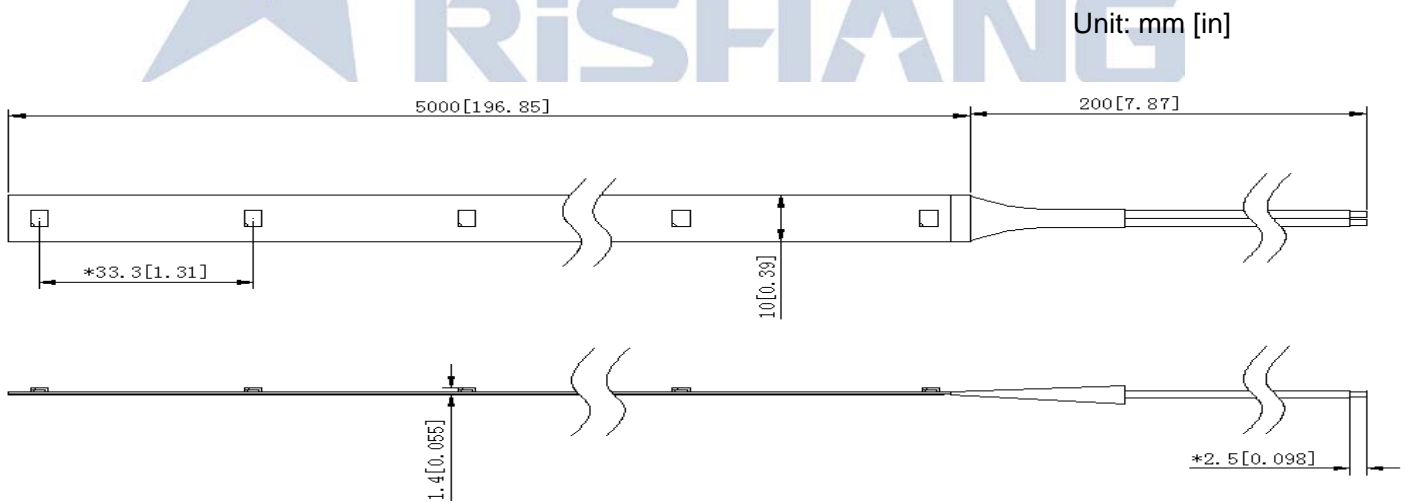
Others:

P/N	LED Color	Standard Length		Max. cascading Length		LED Qty (pcs/ m)	Operating Temperature		Storage Temperature		IP Grade
		(m)	(in)	(m)	(in)		(°C)	(°F)	(°C)	(°F)	
RN0030TA-A	White, R, G, B, Y	5	196.85	5	196.85	30	-25~+60	-13~+140	-25~+70	-13~+158	IP20
RN0060TA-A	White, R, G, B, Y	5	196.85	5	196.85	60	-25~+60	-13~+140	-25~+70	-13~+158	IP20

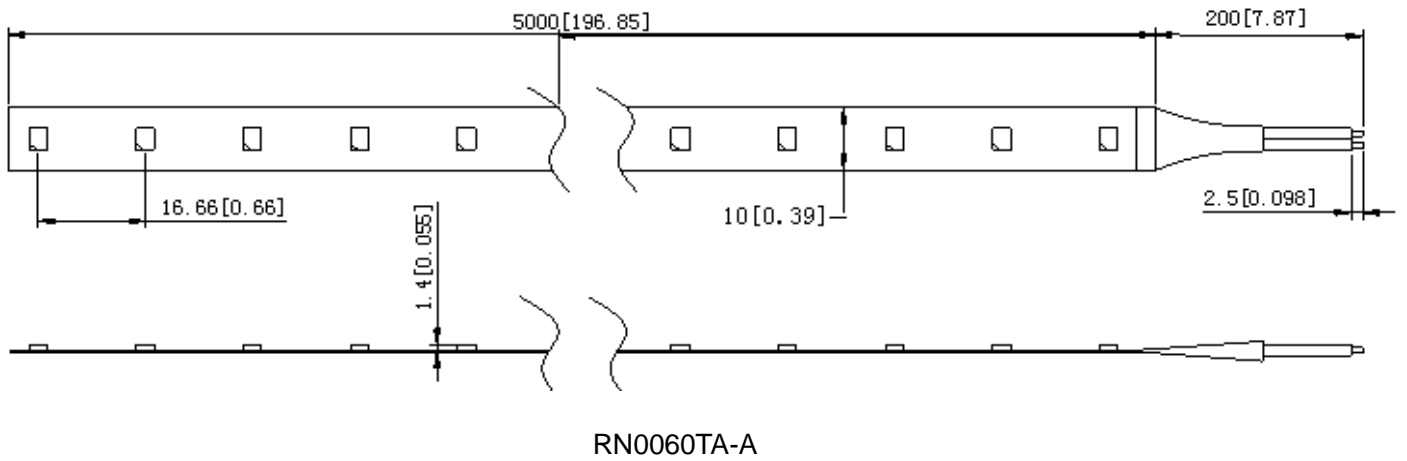
Notes:

- ① Testing environment temperature: 25±2°C [77±3.6°F];
- ② The actual data of each single product may differ from above typical data which are subject to change without prior notice.
- ③ Above “—” represents that SDCM parameters do not need to be filled in.

Profile Drawings:

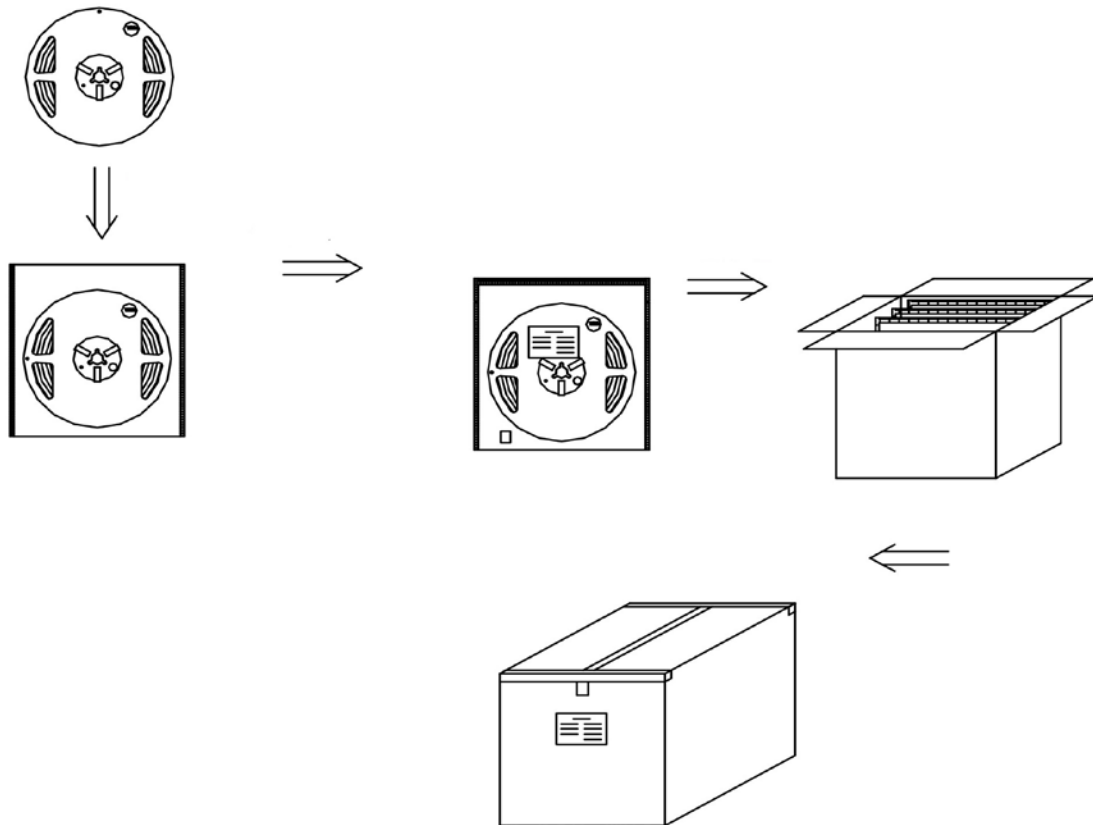


RN0030TA-A



RN0060TA-A

Packaging Diagrams:



Packaging Information:

RN0030TA-A

1. Outer carton: 39.0*25.0*22.6cm =0.022 (1±10%) CBM [15.35*9.84*8.89in];
2. 5m [196.854in] strip per antistatic bag,
40 antistatic bags per outer carton, that makes 200m [7874in] strips in total;
3. Net Weight (N.W) : 2.04(1±10%) kg [4.50 (1±10%) lb];
4. Gross Weight (G.W) : 4.04 (1±10%) kg [8.90 (1±10%) lb];
5. The actual packed quantity and weight may subject to change without prior notice.

RN0060TA-A

1. Outer carton: 39.0*25.0*22.6cm =0.022 (1±10%) CBM [15.35*9.84*8.89in];

2. 5m [196.854in] strip per antistatic bag,
40 antistatic bags per outer carton, that makes 200m [7874in] strips in total;
3. Net Weight (N.W) : 2.24 (1±10%) kg [4.94 (1±10%) lb];
4. Gross Weight (G.W) : 4.24 (1±10%) kg [9.34 (1±10%) lb];
5. The actual packed quantity and weight may subject to change without prior notice.

