

# Wall Mounted Touch Panel

- Touch panel 4 zone RGB+CCT DMX512 master, can also be used as 4 zone RGB+CCT RF remote.
- DMX signal output, comply to standard DMX512 protocol, compatible with DMX decoder from any supplier.
- When used as RF remote, each zone can remote control multiple RF 2.4G LED controllers.
- Ultra sensitive high strength glass touch panel with touch color wheel in the middle.
- Smooth and accurate color adjustment by touching the color wheel.
- Touch keys with LED indicator.
- White & Black glass panel available.

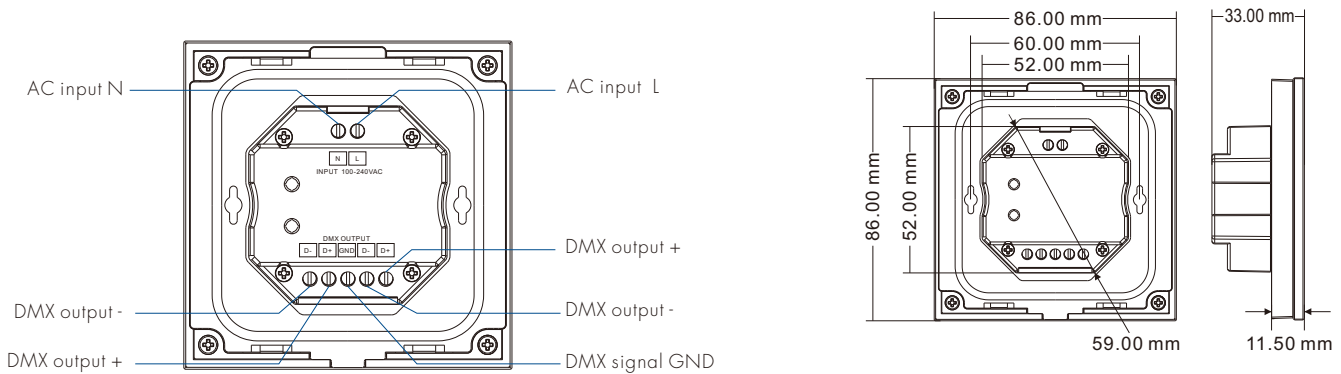


CE RoHS emc LVD

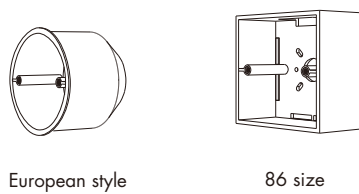
## Technical Parameters

Input and Output		Dimming data		Safety and EMC	
Input voltage	100-240VAC	Input signal	Touch key + RF 2.4GHz	EMC standard (EMC)	ETSI EN 301 489-1 V2.2.3 ETSI EN 301 489-17 V3.2.4
Input current	Max 0.1A	RF Control distance	10m(Barrier-free space)	Safety standard	EN 62368-1:2020+A11:2020
Output signal	DMX512, RF 2.4GHz	Dimming level	256 levels	Radio Equipment(RED)	ETSI EN 300 328 V2.2.2
<b>Environment</b>		Dimming range	0-100%	Certification	CE,EMC,RED
Operation temperature	Ta: -30°C ~ +55°C	<b>Package</b>		<b>Warranty</b>	
Case temperature (Max.)	Tc: +65°C	Size	L112 x W112 x H50mm	Warranty	5 years
IP rating	IP20	Gross weight	0.234kg		

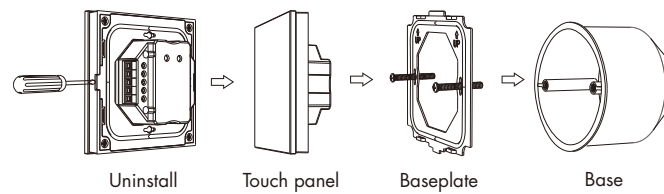
## Mechanical Structures and Installations



Typical base as below:

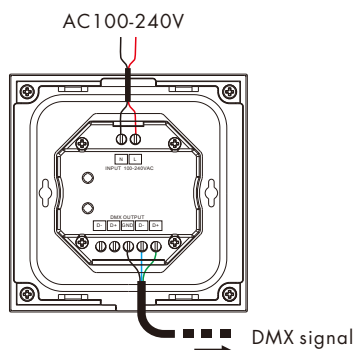


Installation diagram:

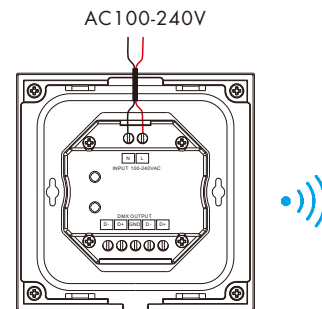


## Wiring Diagram

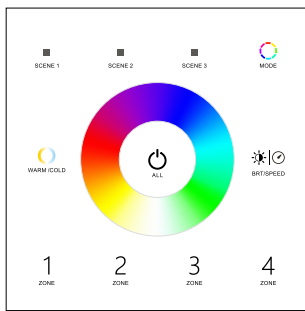
- Touch panel work as DMX512 master



- Touch panel work as RF remote



## Key function



- Turn on/off all zone light.
- Color wheel.
- Short press play 10 built-in dynamic mode, long press 2s run mode-cycle.
- Adjust dynamic mode speed or static color brightness, 10 levels.
- Adjust color temperature, 11 levels.
- 3 scenes, short press recall the scene, long press 5s save current brightness into scene 1/2/3.

- Short press turn on zone light and select zone simultaneously, long press 2s turn off zone light. Short press multiple zone key fastly, will select multiple zone synchronously. 4 zone control separately or synchronously, each zone could control multiple receivers.

**Turn on key tone:** Long press power key for 5s when all zone light is off, will turn on or turn off key tone.

### Scene locking:

- Scene keys can be set to locked state, cancel long press for 5 seconds to save the scene function (default scene is not locked).
- Short press the panel on/off key, turn on the light first, then turn off the light, immediately long press the panel on/off key for 5 seconds, then immediately long press any one scene key for 5 seconds to set all scene keys to locked state.
- Short press the panel on/off key, turn on the light first, then turn off the light, immediately long press the panel on/off key for 5 seconds, then immediately long press any one scene key for 10 seconds to restore all scene keys to unlocked state.

## Touch Panel work as DMX512 Master

After connect with DMX decoders, please set the DMX decoders address as below:

DMX address	Light color channel				
	R	G	B	WW	CW
Zone 1 DMX decoder's address	1	2	3	4	5
Zone 2 DMX decoder's address	6	7	8	9	10
Zone 3 DMX decoder's address	11	12	13	14	15
Zone 4 DMX decoder's address	16	17	18	19	20

## Touch Panel work as RF remote

Touch panel 4 zone remote can match with RGB+CCT (or single color, dual color, RGB) light type RF controller.

End user can choose the suitable match/delete ways. Two options are offered for selection:

### Use the controller's Match key

Match:

Short press match key, immediately press zone key of the touch panel. The LED indicator fast flash a few times means match is successful.

Delete:

Press and hold match key for 5s to delete all match, The LED indicator fast flash a few times means all matched remotes were deleted.

### Use Power Restart

Match:

Switch off the power of the receiver, then switch on power, repeat again. Immediately short press zone key 3 times on the touch panel. The light blinks 3 times means match is successful.

Delete:

Switch off the power of the receiver, then switch on power, repeat again. Immediately short press zone key 5 times on the touch panel. The light blinks 5 times means all matched remotes were deleted.

## Dynamic mode list

No.	Name	No.	Name
1	RGB jump	6	RGB fade in and out
2	RGB smooth	7	Red fade in and out
3	6 color jump	8	Green fade in and out
4	6 color smooth	9	Blue fade in and out
5	Color temperature smooth	10	White fade in and out