

# 3-Button RF LED Dimmer

Model No.: VD1

1 channel constant voltage / Max 5A output / 3-button / Wireless remote control / Step-less dimming

## Features

- 1 channel constant voltage single color LED RF dimmer.
- 5A output, connect with 5 meters single color LED strip.
- 3 button operation with on/off and dimming.
- Match with 2.4G single zone or multiple zone single color remote control optional.
- 4096 levels 0-100% dimming smoothly without any flash.

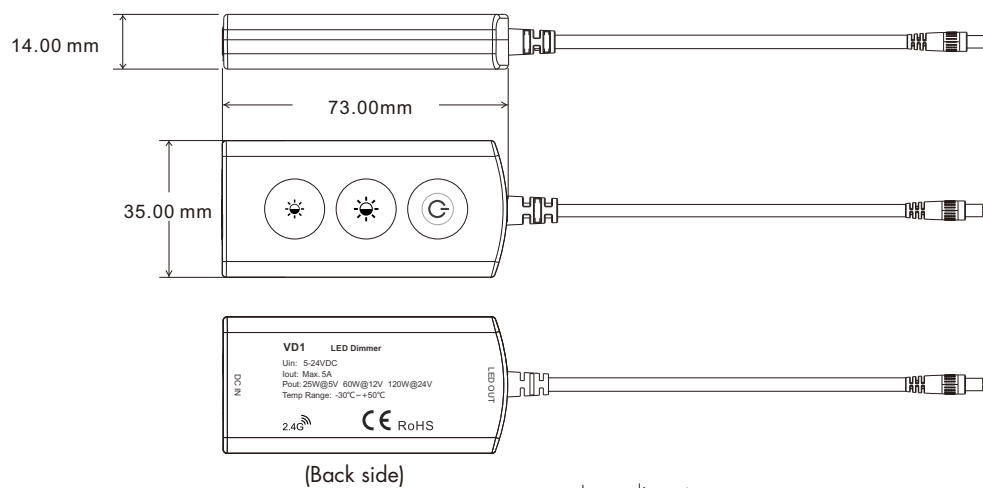


CE RoHS RED

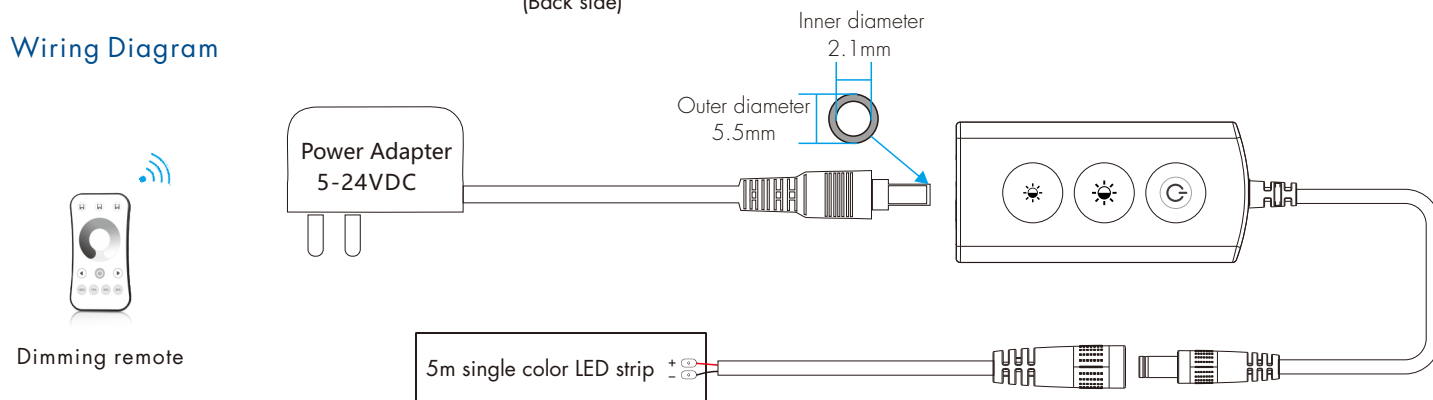
## Technical Parameters

Input and Output		Dimming data		Safety and EMC	
Input voltage	5-24VDC	Input signal	3 button + RF 2.4GHz	EMC standard (EMC)	ETSI EN 301 489-1 V2.2.3 ETSI EN 301 489-17 V3.2.4
Output voltage	5-24VDC	Control distance	30m(Barrier-free space)	Safety standard	EN 62368-1:2020+A11:2020
Output current	Max. 5A	Dimming gray scale	4096 (2 <sup>12</sup> ) levels	Radio Equipment(RED)	ETSI EN 300 328 V2.2.2
Output power	25W@5V 60W@12V 120W@24V	Dimming range	0 -100%	Certification	CE,EMC,RED
<b>Environment</b>		Dimming curve	Logarithmic	<b>Package</b>	
Operation temperature	Ta: -30°C ~ +50°C	PWM Frequency	2KHz (default)	Size	W120 x L43 x H27mm
Case temperature (Max.)	Tc: +85°C	Warranty	5 years	Gross weight	0.013kg
		Protection	Over-heat, Short circuit		

## Dimension



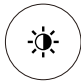
## Wiring Diagram

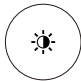


**Note:** Press and hold the and (Brightness-) button for 2s, output LED flashes 3 times, the light on/off fade time will change between 3s and 0.5s.

## Button function

 : Turn on or off light.

 : Brightness +, short press 10 levels, long press 1-6s for continuous 256 levels adjustment.



 : Brightness -, short press 10 levels, long press 1-6s for continuous 256 levels adjustment.

## Match Remote Control (optional)

End user can choose the suitable match/delete ways. Two options are offered for selection:



### Use and button

Match:

Long press  and  button 2s, the output LED blinks 2 times, immediately press on/off key (single zone remote) or zone key (multiple zone remote) of the remote.

The output LED blinks 3 times means match is successful.

Delete:

Press and hold  and  button for 5s to delete all match, The output LED blinks 5 times means all matched remotes were deleted.

### Use Power Restart

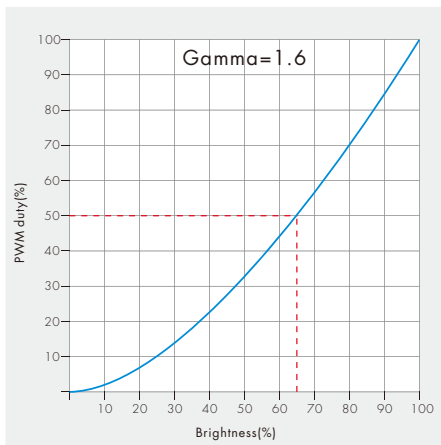
Match:

Switch off the power, then switch on power again, immediately short press on/off key (single zone remote) or zone key (multiple zone remote) 3 times on the remote. The output LED blinks 3 times means match is successful.

Delete:

Switch off the power, then switch on power again, immediately short press on/off key (single zone remote) or zone key (multiple zone remote) 5 times on the remote. The output LED blinks 5 times means all matched remotes were deleted.

## Dimming Curve



## Packing List



LED Dimmer  
1 pcs



User Manual  
1 pcs



DC Extension Cable  
(12cm)  
1 pcs